



LDES, INC.
5160 INDUSTRIAL PL.
#108
FERDALE, WA 98248
PHONE: (360) 383-0620
FAX: (360) 383-0639

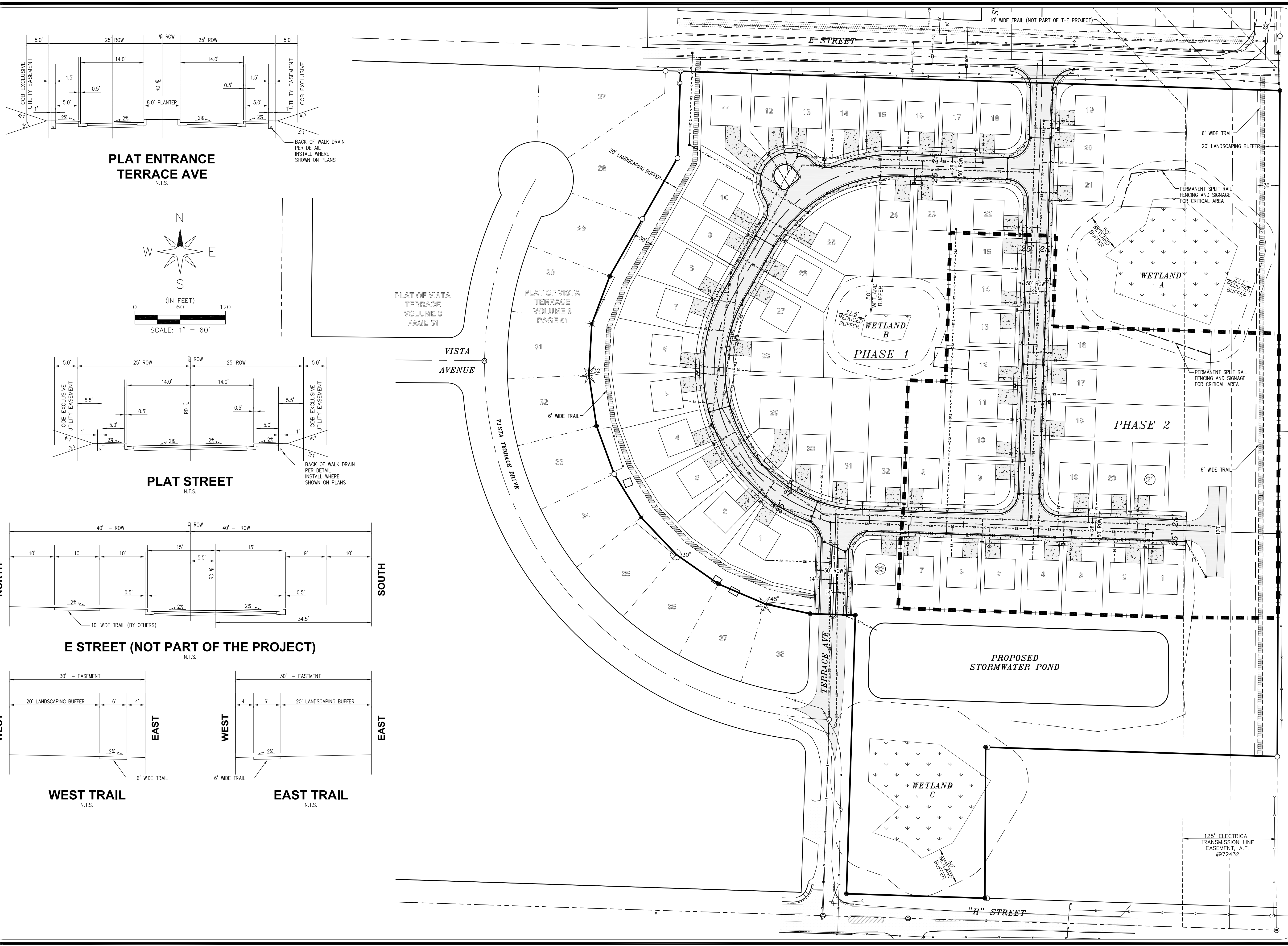
PRELIMINARY

JOB NO.: 2116
DATE: 9/24/2021
DESIGNED BY: -
DRAWN BY: RL
CHECKED BY: RL
OWNER: HOLLINGER FAMILY PROPERTIES, LLC

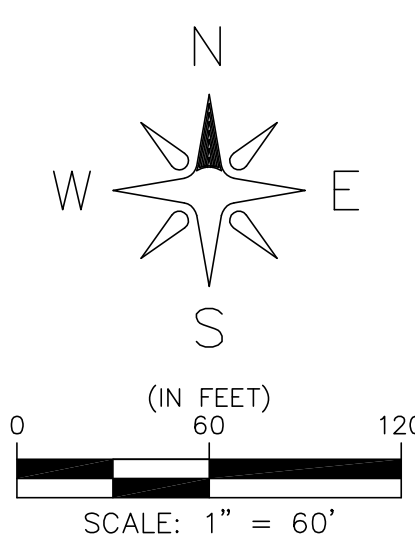
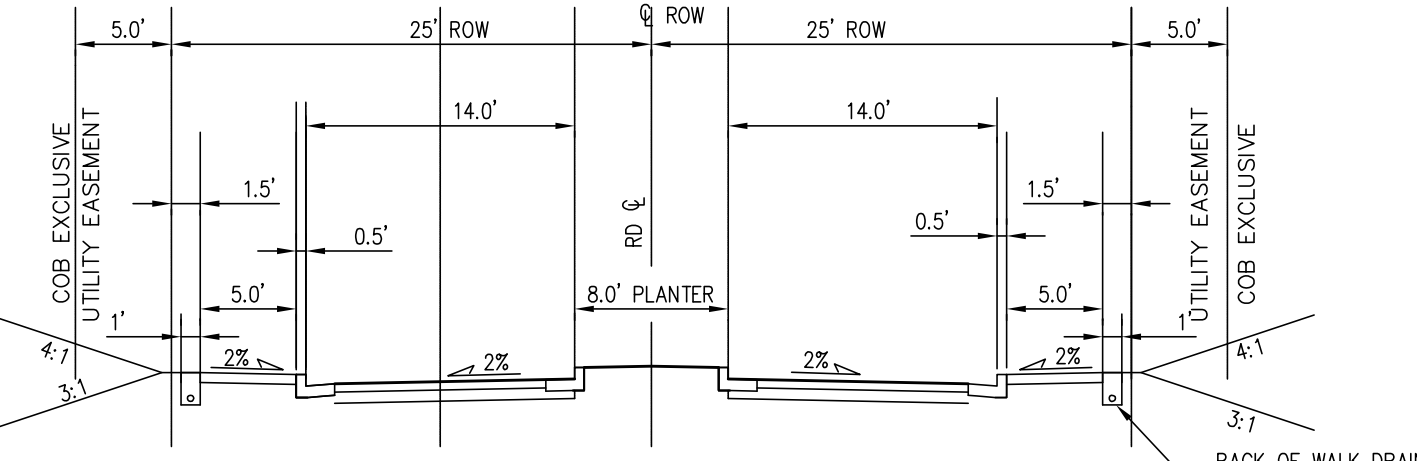
A PORTION OF THE SE 1/4 OF THE SW 1/4 OF SECTION 32, TOWNSHIP 41 N., RANGE 1 E., W.M. CITY OF BLAINE, WHATCOM COUNTY, WASHINGTON
MOTT'S HILL OVERLOOK PLAT
COMPOSITE UTILITY PLAN

NO.	REVISION	BY	DATE

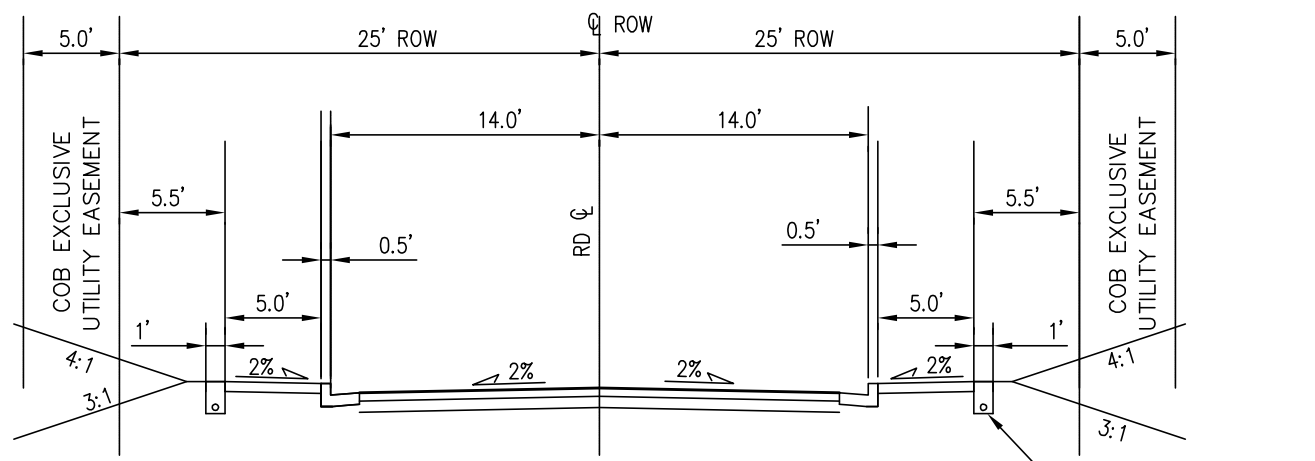
SHEET **01**
OF 2



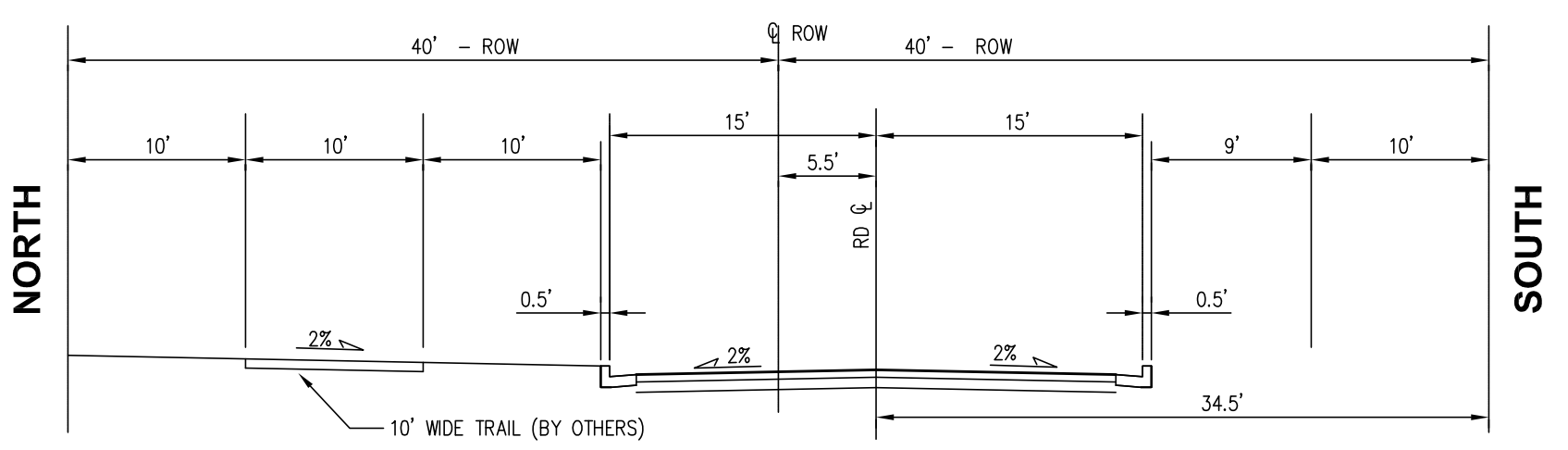
PLAT ENTRANCE TERRACE AVE
N.T.S.



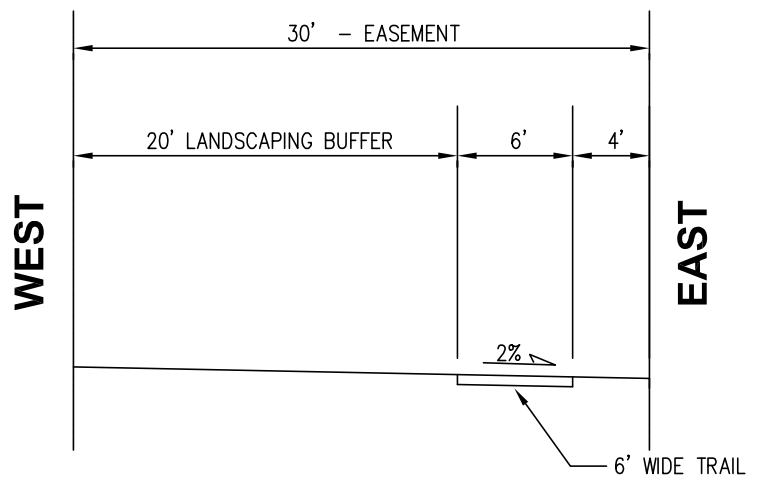
PLAT STREET
N.T.S.



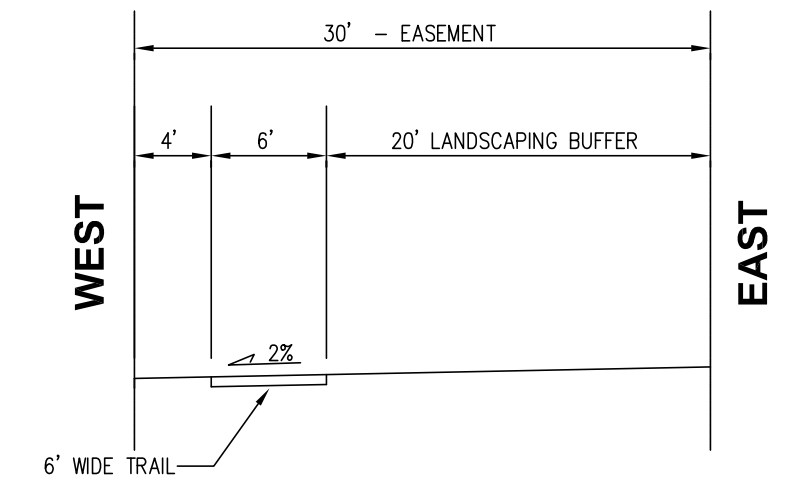
E STREET (NOT PART OF THE PROJECT)
N.T.S.



WEST TRAIL
N.T.S.



EAST TRAIL
N.T.S.



R:\Common\Land Projects\2021\2116 - E STREET PLAT\eng\CAD-2116_Preliminary.cad PLOTTING PLAT DATE: 9/24/2021 1:30 PM